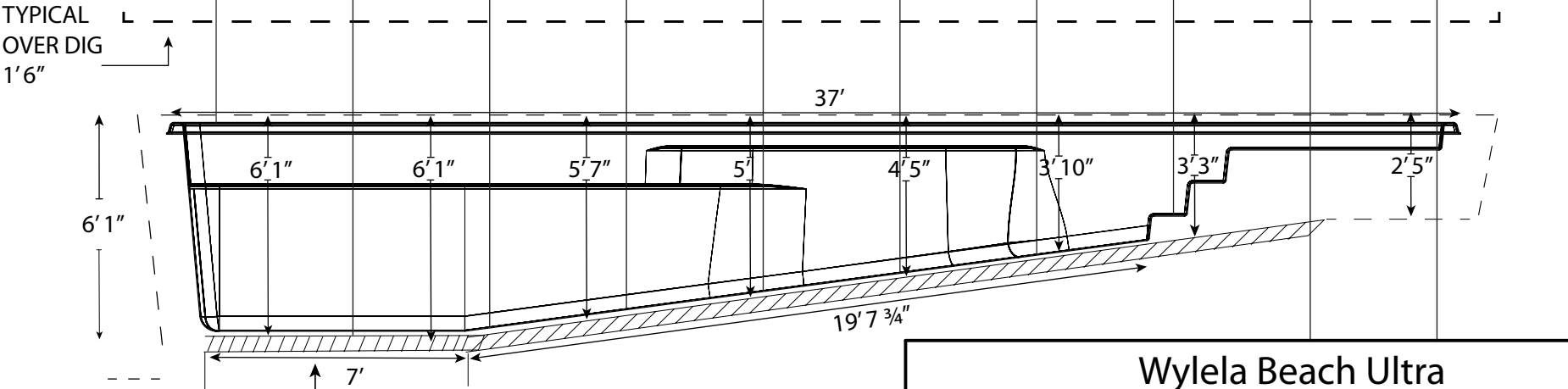
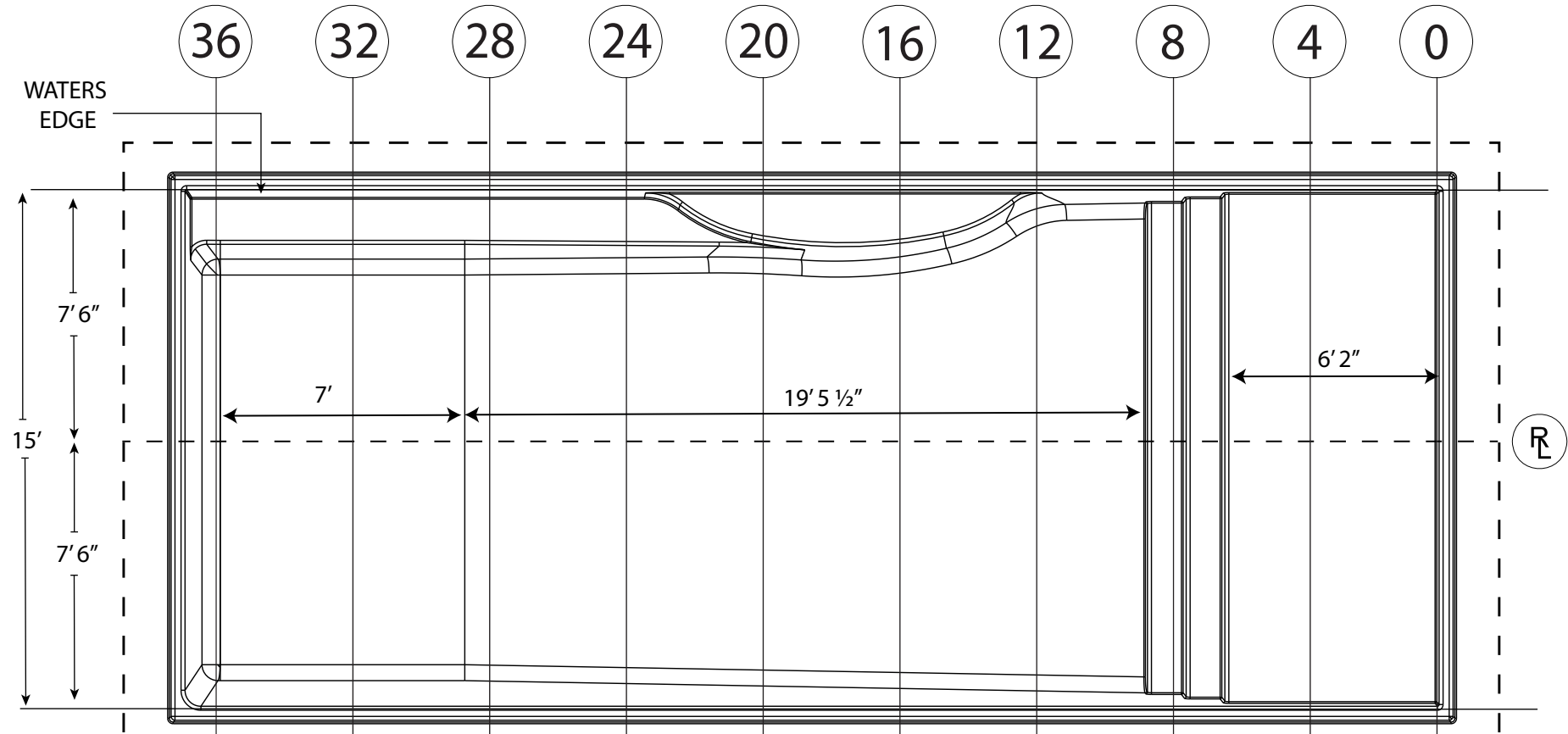


ALL MEASUREMENTS TO WATERS EDGE - ADD PREFERRED OVERDIG



4" SANDBED

Surface Area: 527 Sq. ft.
Volume: 14,375 Gal.

Perimeter: 106 Lin. ft.
Shell Weight: 4,840 lbs.

Wylela Beach Ultra	
SCALE 1/4" = 1'-0"	
REVISION 01	

ALL MEASUREMENTS AND QUANTITIES ARE BASED ON AVERAGES